

L1T: fixed length 130 mm



002.2441 L1T, fixed length 13 cm for Trigger clamp, with universal bracket

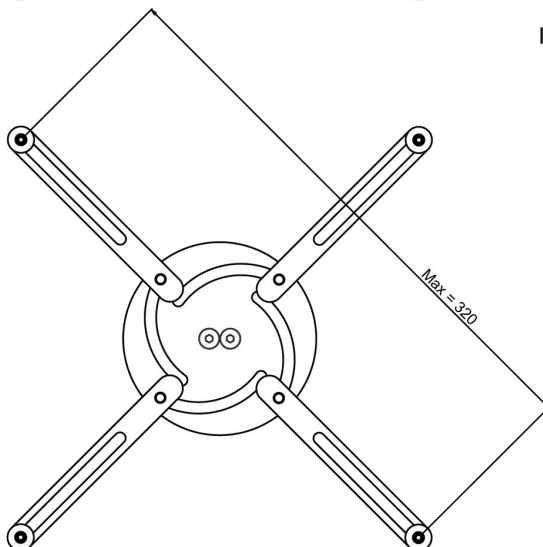
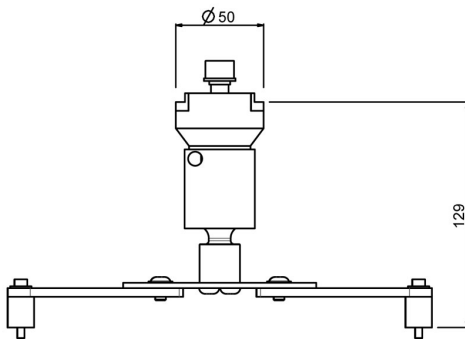
The SmartMetals ceiling mounts fit virtually any projector and are available in a range of standard lengths. This set is for example suited for truss installation and electrically insulated. All universal tube sets include a ball joint that can be adjusted without tools. The universal bracket and your projector can be attached to this ball joint and can be positioned to any direction.

L1T: fixed length 130 mm

Features

Maximum length: 130 mm
Weight: 2.00 kg
Colour: Silver-Grey
Maximum load: 25 kg
Bracket/interface: Included

Type bracket/interface: Universal
Reach bracket/interface: Max. 320 mm Ø
Tilt function: +20° till -20°
Rotation: 360°
Other information: Electrical insulation, excl. Doughty Trigger Clamp (003.1128)



Including mounting material for connecting projector (M3, M4, M5, M6)

