

L3: 420 - 590 mm



002.2450 L3, 42 - 59 cm, with universal bracket

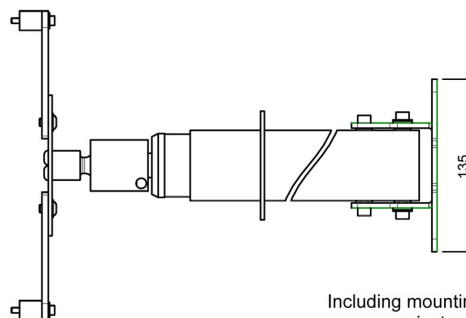
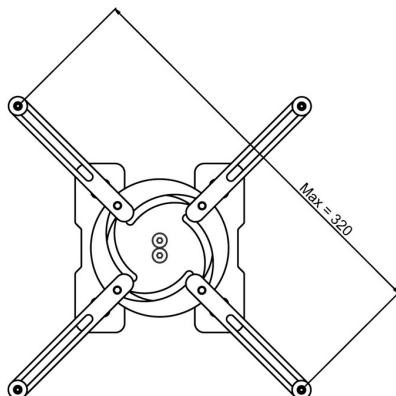
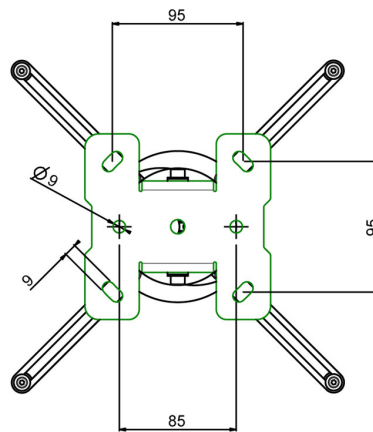
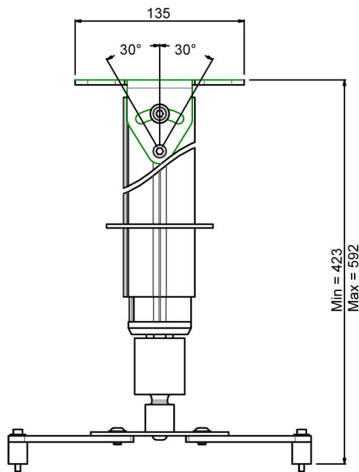
The SmartMetals ceiling mounts fit virtually any projector and are available in a range of standard lengths. All models, apart from the shortest, can be continuously adjusted in length and include a drop-down protection, ensuring that the inner and outer tube will not part. All universal tube sets include a ball joint that can be adjusted without tools. The universal bracket and your projector can be attached to the ball joint and can be positioned to any direction. The cable duct is easily accessible from the outside and the slotted holes in the ceiling plate make ceiling mounting straightforward.

L3: 420 - 590 mm

Features

Minimal length: 420 mm
Maximum length: 590 mm
Weight: 2.80 kg
Colour: Silver-Grey
Maximum load: 25 kg
Height adjustment : Manual

Bracket/interface: Included
Type bracket/interface: Universal
Reach bracket/interface: Max. 320 mm Ø
Tilt function: +20° till -20°
Rotation: 360°
Ceiling tilt function: +30° till -30°
Cable duct: 20 mm Ø



Including mounting material for connecting projector (M3, M4, M5, M6)