



Samsung Smart Signage

OMH Series

Deliver Clear and Compelling Messaging with Excellent Visibility

Highlights

- Ensure continuous visibility in bright settings exposed to sunlight
- Deter sunlight exposure damage with a reinforced, high-TNI panel composition
- Simplify operations through an all-in-one design
- Connect external devices across a variety of dedicated ports
- Configure displays in portrait or landscape orientations to suit dimensional needs

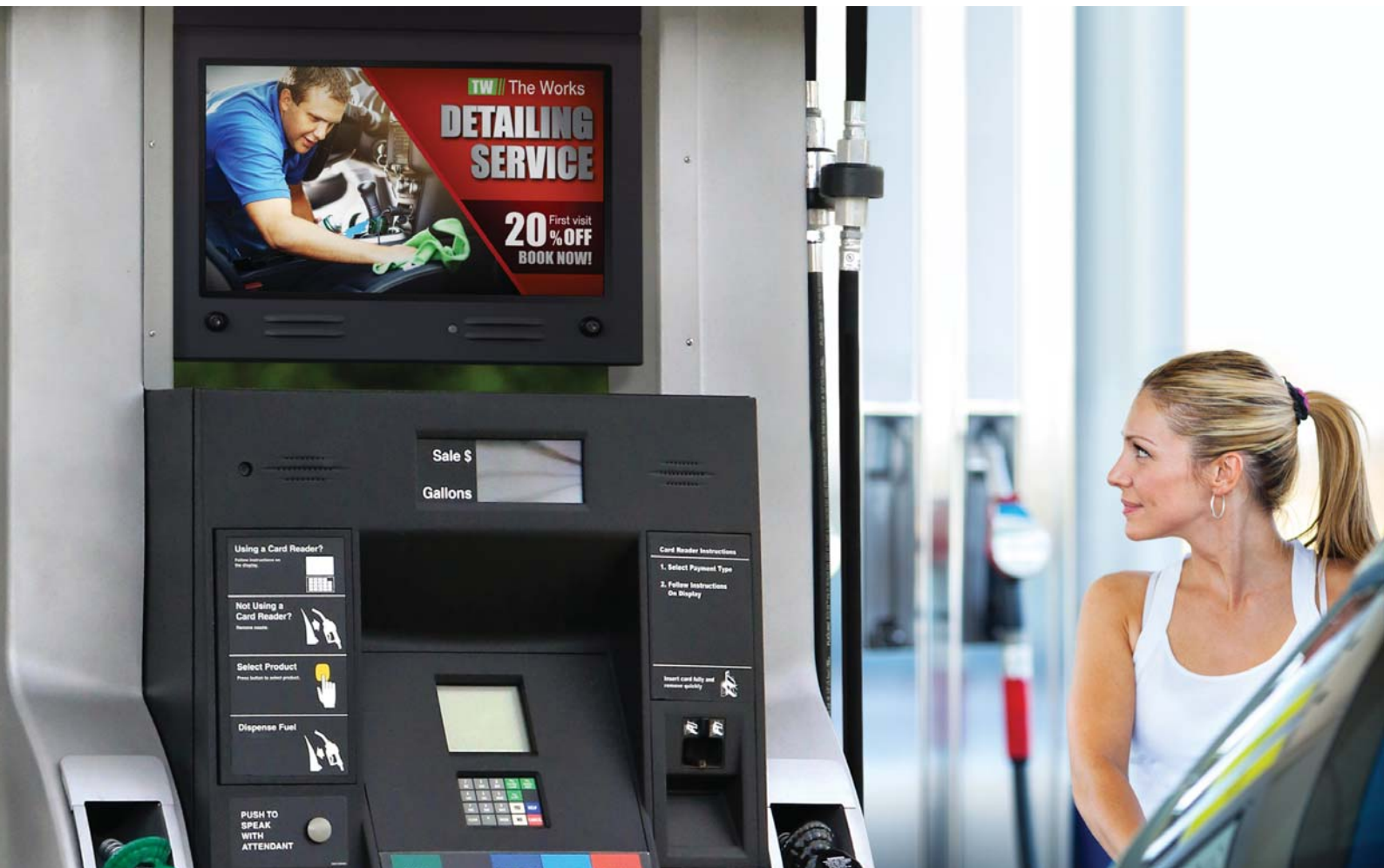
SAMSUNG

Industry Trends

As competition increases, retailers need new ways to engage and inform customers...even before they enter the venue. Given this demand, storefront windows, drive-thrus and even gas pumps have become prized spaces, as these locations offer unparalleled opportunities to connect with captive audiences.

Why Samsung OMH?

Samsung's versatile OMH Series displays expand content-sharing possibilities and deliver clear and intriguing messaging for businesses in semi-outdoor and outdoor environments. The displays' reinforced design ensures continuous visibility and tolerance against intense lighting exposure, while convenient all-in-one management reduces operational burden.

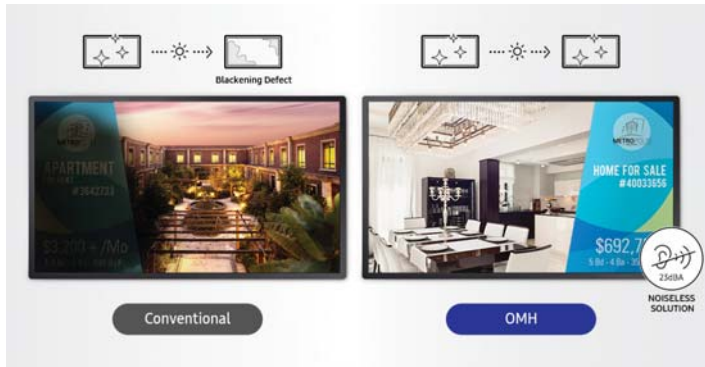


Key Features



Foster Brilliant Presentation for All

Provide uninterrupted visibility against natural and ambient lighting conditions with high brightness and against display blindness from polarized sunglasses with circular polarizing technology.



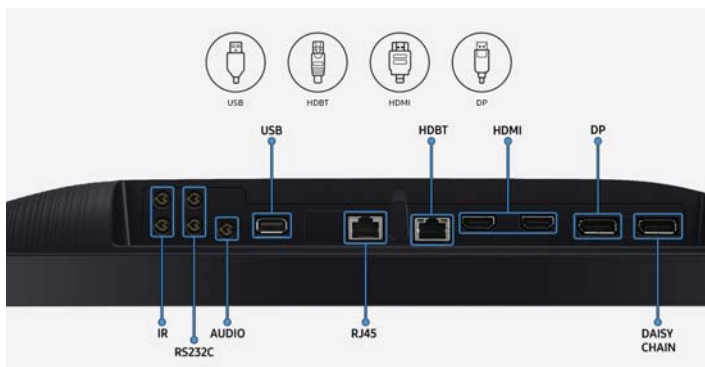
Eliminate Unnecessary Distractions

Deliver content without disrupting the customer experience. A high-TNI panel prevents blackening of the screen from sunlight exposure and a fan-less design ensures minimal noise emission.



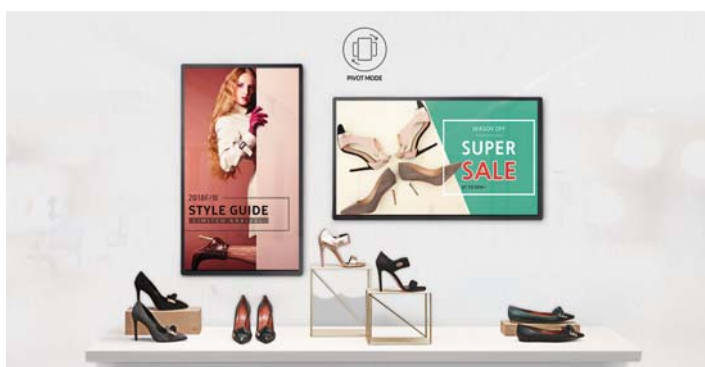
Streamline Operational Efficiency

The embedded MagicInfo Player S4, backed by the powerful TIZEN operating system, boosts the displays overall performance, allows for painless content management and ensures seamless content transition and playback.



Leverage Advanced Connectivity

Through dedicated input (DP, HDMI, HDBT and USB), external control (RJ45, RS232C and IR) and network (RJ45 LAN) ports, users can connect multiple compatible sources without complication.



Optimize Display Orientation

With pivot mode, users can install the OMH Series displays in both a landscape or portrait orientation to suit environmental and usage needs.

Specification

MODEL			OM32H	
Panel	Diagonal Size	Class (in.)	32	
		Measured	31.5 in / 80.1 cm	
	Resolution		1920 x 1080 (16:9)	
	Active Display Area (mm)		698.4 (H) x 392.85 (V)	
	Brightness (Typ.)		1,000 nit	
	Contrast Ratio		3000:1	
	Viewing Angle (H/V)		178/178	
	Display Colors		8 bit - 16.7M	
	Color Gamut		72%	
Operation Hour		16/7		
Display	Dynamic C/R		100,000:1	
Sound	Speaker Type		N/A	
Connectivity	Input	Video	DP(1), HDMI (2), HDBT (LAN common)	
		Audio	N/A	
		USB	USB 2.0 (1)	
	Output	Video	DP x1 (Loop-out)	
		Audio	Stereo Mini Jack	
	External Control		RS232C (In/Out), RJ45 (In/Out), HDBaseT	
External Sensor		Detachable Type (IR)		
Power	Type		Internal	
	Power Supply		AC100 - 240 V (+/- 10 %), 50/60 Hz	
	Power Consumption	Max [W/h]	101 (TBD)	
		Typical [W/h]	95 (TBD)	
		BTU (Max)	345 (TBD)	
Sleep Mode		Less than 0.5W		
Mechanical Spec	Dimension (mm)	Set (W x H x D)	734.7 x 429.2 x 55.3	
		Package (W x H x D)	829 x 141 x 518	
	Weight (kg)	Set	8.2 (TBD)	
		Package	10 (TBD)	
	Mounting Hole (mm)		100 x 100	
Protection Glass		N/A		
Operation	Bezel Width (T/B/L/R, mm)		14.0 / 14.0 / 14.0 / 14.0	
	Operating Temperature		0°C to 30°C (Direct Sunlight) 0°C to 40°C (w/o Direct Sunlight)	
	Humidity		10 to 80%	
IP Certificate		N/A		
Feature	Key		MagicInfo Player S4, SSSP 4.0, HDBaseT	
	Special		Polarized Sun Glasses Viewable in Any Direction, HDBaseT for Long Distance Installing, Portrait /Landscape Installation Support, Temperature Sensor, RJ45 MDC, Auto Source Switching & Recovery, Clock Battery (80hrs Clock Keeping), Kensington Lock	
	Internal Player (Embedded H/W)	Processor		Cortex-A121.3GHz Quad Core CPU
		On-Chip Cache Memory		L1 (I/D) : 32KB / 32KB L2 (Unified) : 1MB
		Main Memory Interface		2.5GB 3 channel 96bit DDR3-933 (1866MHz)
		Graphics		2D & 3D Graphics Engine Data Format: 32bpp Output resolution: 1920x1080p Supports OpenGL ES
		Storage (FDM)		8GB (3.75GB Occupied by OS, 4.25GB Available)
		Multimedia		Video Decoder: MPEG-1/2/4, H.263, H.264/AVC, UHD H.264/AVC VC-1, AVS+, HEVC, JPEG, PNG, VP8, VP9 Audio DSP (Decoder): AC3 (DD), MPEG, DTS, etc.
		IO Ports		USB 2.0
		Operating System		Tizen 2.4
		Accessories	Included	
Optional			Media Player	N/A



Tél. +352 26 380 1 | Fax +352 26 380 380
 2, rue Léon Laval - Z.A. Am Bann
 L-3372 Leudelange
ck-documentimaging.lu