

## MicConnect

Passive microphone surface mount

---



### FEATURES

- Easy to install
- Maintenance free
- No Power required

- Universal XLR-3Pin connection
- Push Button and LED controlled by third party conference system

### GENERAL

MicConnect microphone mounts have been designed for installation into tables or desks.

Arthur Holm MicConnect is a passive microphone surface mount for XLR microphones with integrated shock mount, push to talk button and microphone status LED's. The microphone is quick and easy installed and removed, to remove the microphone a special tool is required (included), when there isn't a microphone installed the integrated lid will cover the XLR connector. The MicConnect is made out of stainless steel and is available in standard or customized finishes

## TECHNICAL SPECIFICATIONS

### Materials

Cover plate	Stainless steel, matte or prepared for underneath installation (to be veneered or for table hedge)
-------------	--

### Functionality

Push to talk button, push the button to lift the lid
Microphone installed, push the button to activate/deactivate the system
Main control depends on the audio unit

### LED's

Green and red LED is activated from the main audio unit. (5Vdc Voltage)
---

### Connections

Microphone	Input XLR3 pin standard microphone connector below the lid with integrated shock mount.
	Output: 3 pin terminal block, located on the lower part of the MicConnect

Control	6 pin terminal block, located on the lower part of the MicConnect
	Contact close push button
	5Vdc Led power indicators

### Mechanical

Dimensions	92 x 92 x 100 mm [3.62"x3.62"x3.93"]
Installation	Mounting surface thickness: from 16mm (0.63") to 65mm (2.56")
Weight	1 kg / 2.2 lbs
Shipping Dimensions:	
Weight	1.5 kg / 3.3 lbs
Shipping Box	250 x 250 x 120 mm

## OPTIONS

- USB integrated on cover plate
- USB power integrated on cover plate
- Customised cover plate with speaker, voting system, conference system
- Customised laser engraved logotype on the cover plate
- Custom microphone connection
- Anodisation in different colours

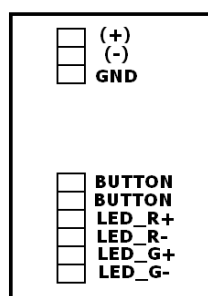
## CERTIFICATIONS

- CE

## WARRANTY

- 2 years general warranty

## CONNECTIVITY PANEL



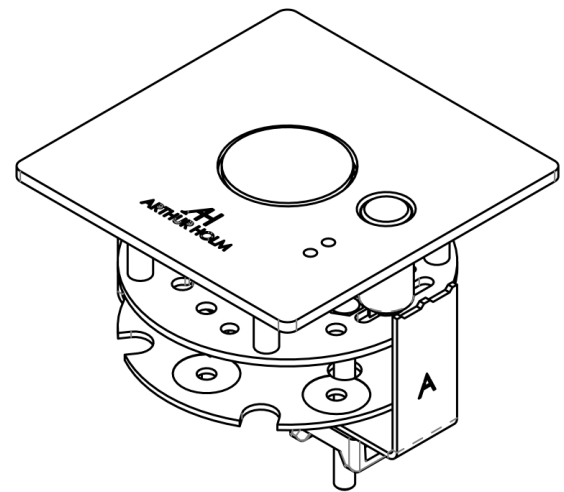
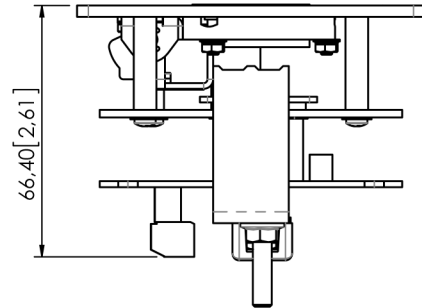
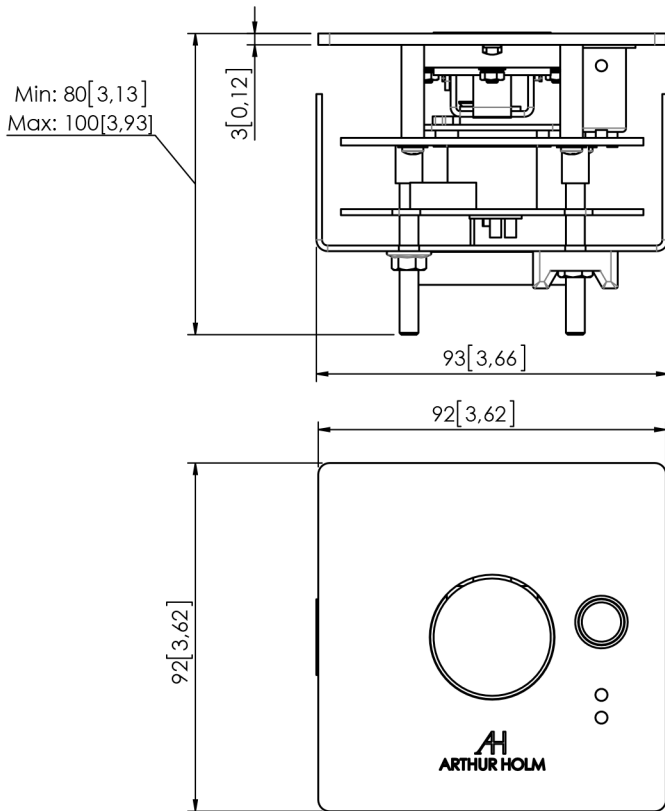
### CONNECTIVITY

Button - Contact close of the cover plate push button  
 LED\_R+/LED\_R - Apply 5VDC to activate LED2 on cover plate  
 LED\_G+/LED\_G - Apply 5VDC to activate LED1 on cover plate

## ARCHITECT'S SPECIFICATIONS

Passive microphone surface mount for XLR microphones with integrated shock-absorbing supports, push to talk button, microphone status LED' and squared stainless steel cover plate. Easy removal and installation of the microphone without any visible locking system.

Integrated lid to cover the XLR connector when no microphone is installed. Very little space required underneath the table. No power required.



**CK** Document imaging  
Tél. +352 26 380 1 | Fax +352 26 380 380  
2, rue Léon Laval - Z.A. Am Bann  
L-3372 Leudelange  
[ck-documentimaging.lu](http://ck-documentimaging.lu)